

FAG

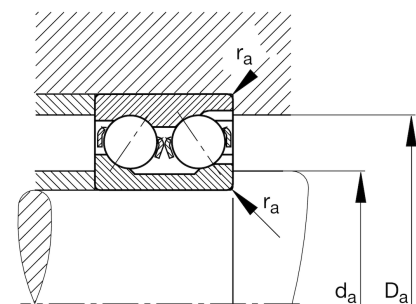
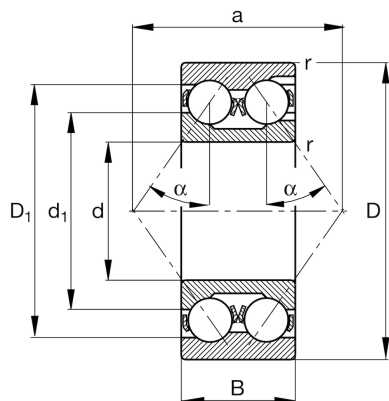
**3222-M**

Angular contact ball bearing

Schaeffler ID:  
0190560600000Angular contact ball bearing 32..-M, double  
row, with filling slot, solid brass cage

## Technical information

## Main Dimensions &amp; Performance Data



d	110 mm	Bore diameter
D	200 mm	Outside diameter
B	69,8 mm	Width
$C_r$	236.000 N	Basic dynamic load rating, radial
$C_{0r}$	290.000 N	Basic static load rating, radial
$C_{ur}$	12.200 N	Fatigue load limit, radial
$n_G$	4.400 1/min	Limiting speed
$n_{gr}$	3.750 1/min	Reference speed
	8,948 kg	Weight

## Dimensions

$r_{min}$	2,1 mm	Minimum chamfer dimension
$D_1$	180,1 mm	Shoulder diameter outer ring
$d_1$	143,3 mm	Shoulder diameter inner ring
a	143,5 mm	Distance between the apexes of the pressure cones
$\alpha$	35 °	Contact angle

## Mounting dimensions

$d_{a min}$	122 mm	Minimum diameter shaft shoulder
$D_{a max}$	188 mm	Maximum diameter of housing shoulder
$r_{a max}$	2,1 mm	Maximum fillet radius

## Temperature range

$T_{min}$	-30 °C	Operating temperature min.
$T_{max}$	150 °C	Operating temperature max.